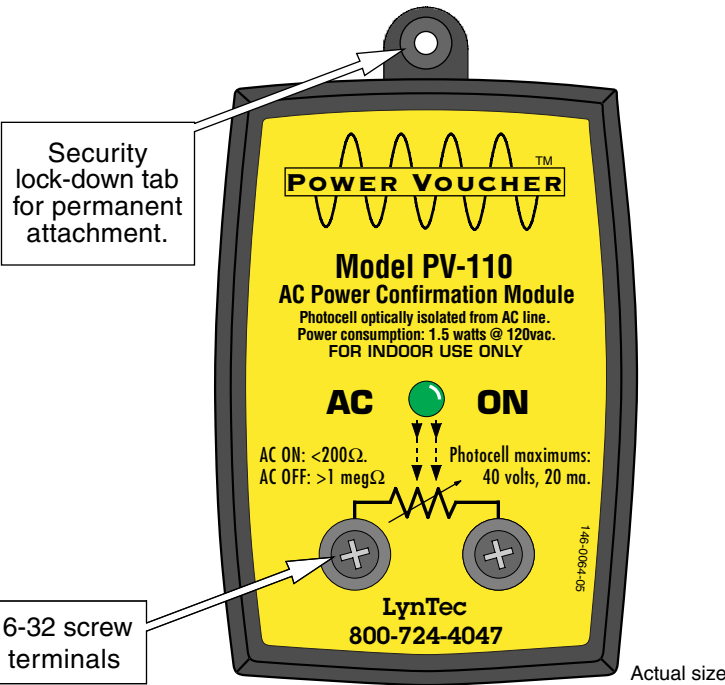


**POWER VOUCHER™** .....from **LynTec**

- Used to verify the presence of power at all AC circuits of a sound system
- A safe, solid-state AC power sensor
- Replaces labor-intensive relay assembly • Cost effective • Optically isolated from AC line
- Visual indication on rack power strips, green LED when power is on.

When used with any LynTec power sequencer, the PV-110's complete a closed loop system. The operator is assured of a fully powered sound system when his AC control switch ON light stays on at the end of the turn-on sequence. If any circuit is un-powered due to breaker trip or unauthorized shut-off, that PV-110's LED will extinguish and signal the sequencer to extinguish the sound system AC ON light, warning the operator that the system is not *all* ON.

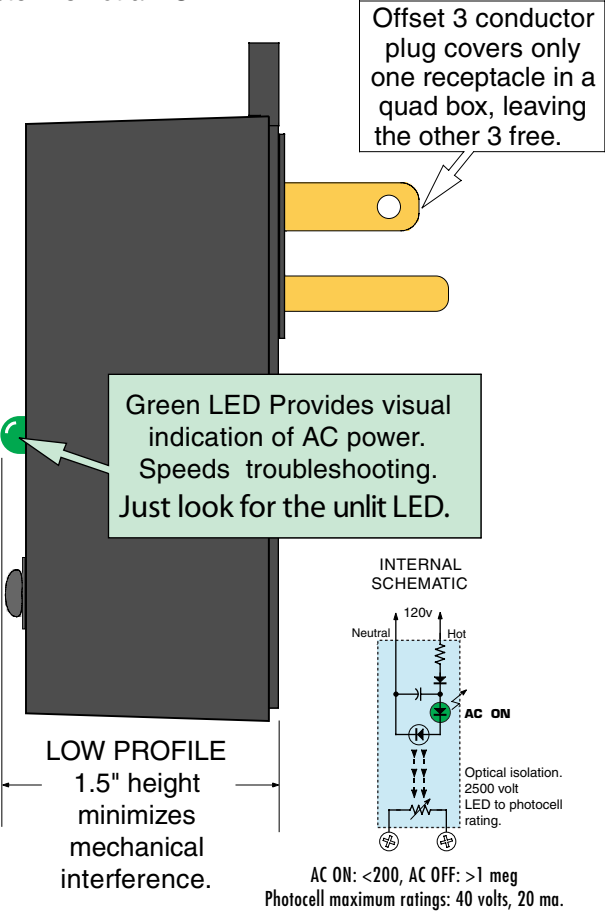


Security lock-down tab for permanent attachment.

6-32 screw terminals

Actual size

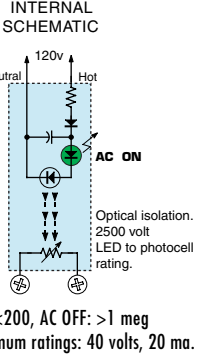
**Who Needs it?**  
Any sound system with more than 2 AC circuits.  
**Why?** If a circuit breaker is tripped, you need to know. Part of the system can be off and no one knows why the sound system isn't operating properly.



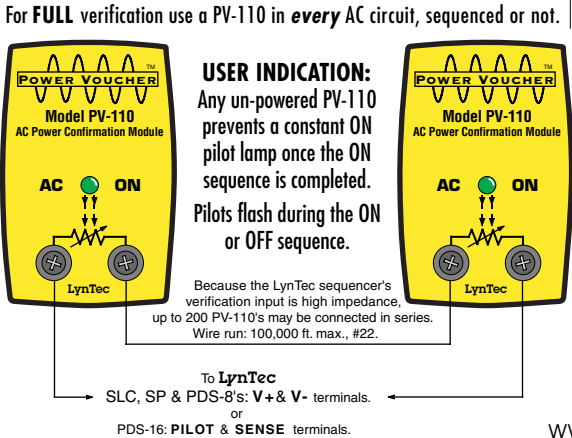
Green LED Provides visual indication of AC power. Speeds troubleshooting. Just look for the unlit LED.

Offset 3 conductor plug covers only one receptacle in a quad box, leaving the other 3 free.

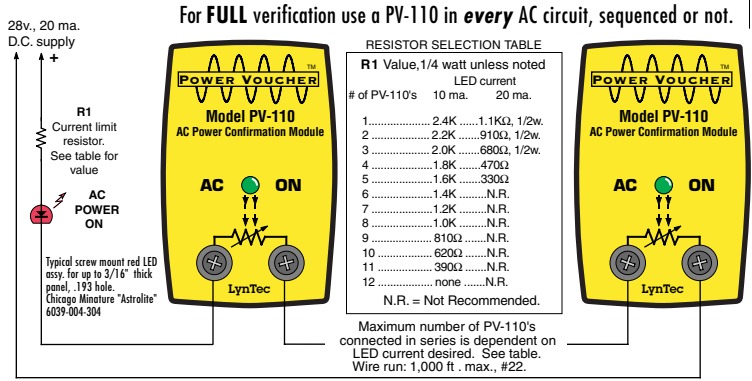
LOW PROFILE  
1.5" height minimizes mechanical interference.



TYPICAL CONNECTIONS  
when used with a LynTec AC Power Sequencer.  
PDS-8 series, PDS-16, SLC or SP series power sequencing systems.



TYPICAL CONNECTIONS  
when used with other sequencers or non-sequenced systems.  
**USER INDICATION:** Pilot lamp will not light if any PV-110 is un-powered. Requires an external LED power supply for the remote LED pilot lamp.



www.LynTec.com

8401 Melrose Drive • Lenexa, KS 66214 (suburb of Kansas City)  
Voice 800-724-4047 or 913-529-2233 • Fax 888-722-4157 or 913-529-4157