

# For Archive Only — Product discontinued 12/31/04

## ECRB series Extended Current Relay Box

### for LynTec PDS-8 series sequencers

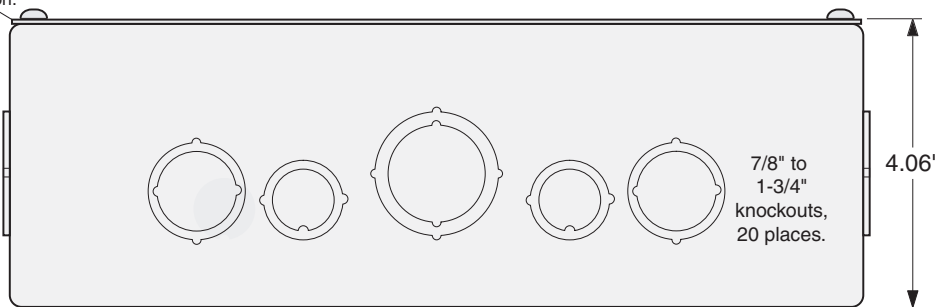
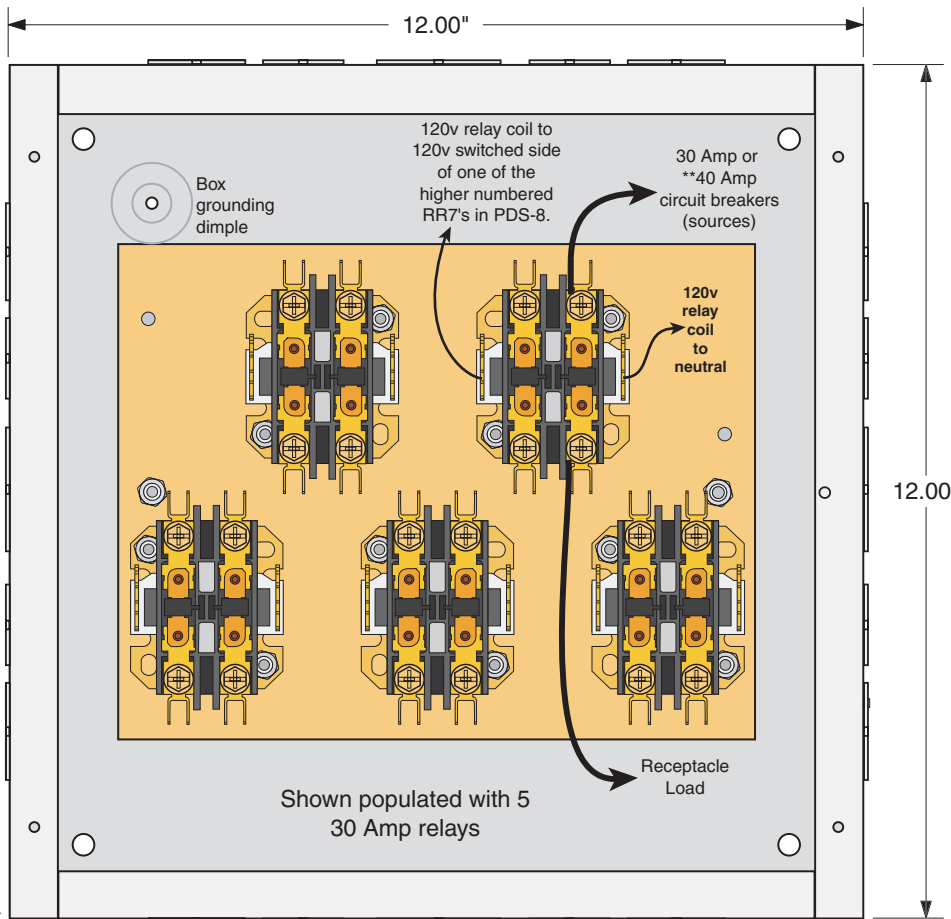
**Purpose:**

The LynTec PDS series Power Sequencing Systems use RR7 latching relays having a maximum current rating of 20 Amps per circuit.

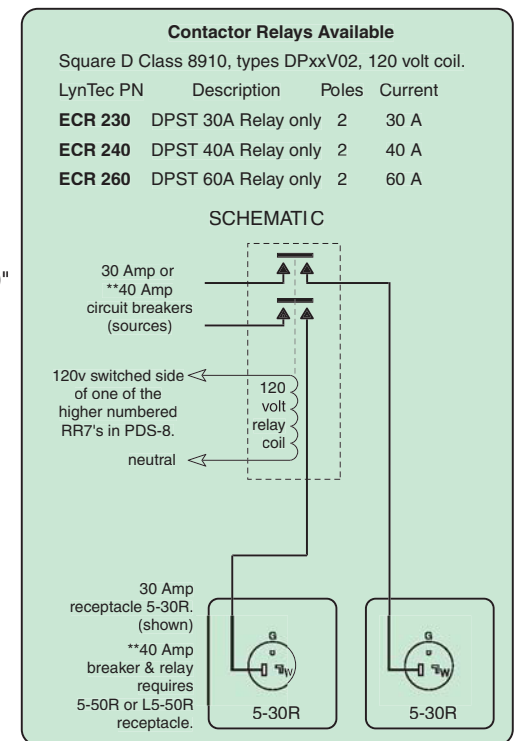
For systems requiring higher current ratings, one or more additional high current relays may be added in another 12" x 12" x 4" box. Each relay has two sets of normally open contacts capable of supplying dual 30, 40 or 60 Amp circuits.

The 120 volt relay coils of the high current relays derive their power from the switched side any one of the sequenced RR7's for sequential control.

This approach retains the load-shedding zip-off feature of the PDS series sequencers.



Models Available	
Model Number	Description
Two pole 30 Amp contactors	
ECRB12-230-1	1 two pole 30 Amp relay in box
ECRB12-230-2	2 two pole 30 Amp relays in box
ECRB12-230-3	3 two pole 30 Amp relays in box
ECRB12-230-4	4 two pole 30 Amp relays in box
ECRB12-230-5	5 two pole 30 Amp relays in box
Two pole 40 Amp contactors	
ECRB12-240-1	1 double pole 40 Amp relay in box
ECRB12-240-2	2 double pole 40 Amp relays in box
ECRB12-240-3	3 double pole 40 Amp relays in box
ECRB12-240-4	4 double pole 40 Amp relays in box
Two pole 60 Amp contactors	
ECRB12-260-1	1 double pole 60 Amp relay in box
ECRB12-260-2	2 double pole 60 Amp relays in box
Additional contactors only	
ECR 230	Additional double pole 30 Amp relay.
ECR 240	Additional double pole 40 Amp relay.
ECR 260	Additional double pole 60 Amp relay.



! DANGER

HAZARD OF ELECTRIC SHOCK, BURN OR EXPLOSION

Turn off power supplying this equipment before working inside.

Close and secure all covers before re-energizing.

Failure to follow these instructions will result in death or serious injury.