

Planning and Layout Worksheet — As-built door label

LynTec LCLC 338-xx Lighting Control Panelboard

Breaker types, sizes, positions and connections

Job _____

Panel _____

Comments _____

by _____ Date _____

Transfer as-built information to the door label upon completion.

Keep this sheet for as-built documentation

Available as PDF download
www.lyntec.com/139-0412_LC338Plnr.pdf

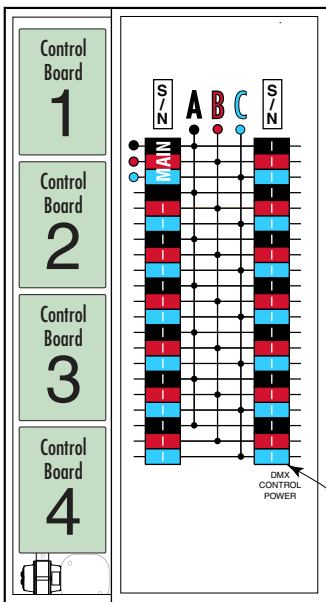
DMX PROTOCOL for LynTec LC series		
Code Range (8 bit)	%	Circuit Function
0-63	0-24	Turns breaker off. When applied to all breakers simultaneously, they turn OFF at a .25 second step rate.
64-191	25-74	No change
192-255	75-100	Turns breaker on. When applied to all breakers simultaneously, they turn ON at a .25 second step rate.

LCLC 338-xx

(22k AIR back-fed main) - 225A bus
xx = Number of controller circuits
10, 20, 30, or 40.

See right side of page for model number explanation.

Cabinet outline - Surface mount only
Outside dimensions: 20.9" w., 39.3" h., 3.9" d.

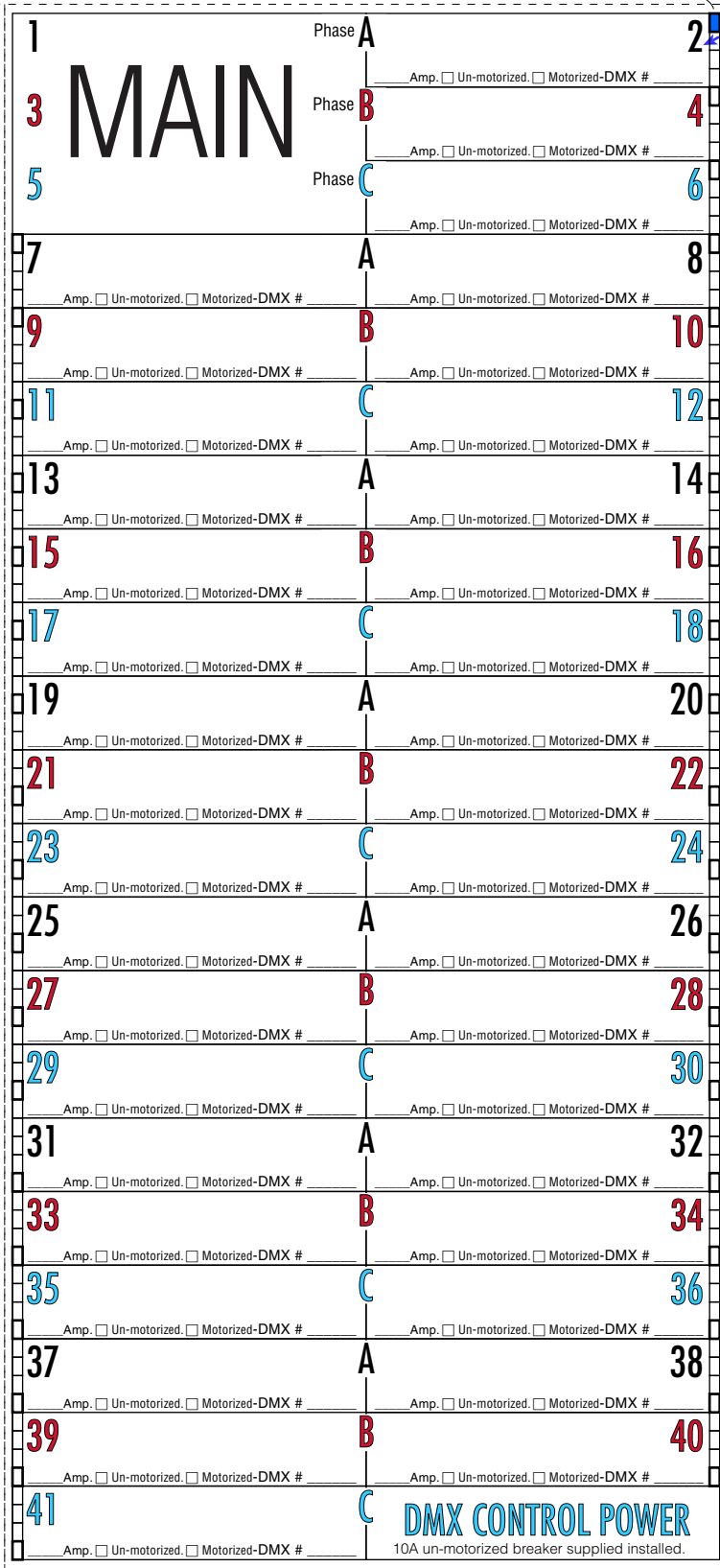


Square D QO342 Load Center with LynTec low-voltage sidecar.

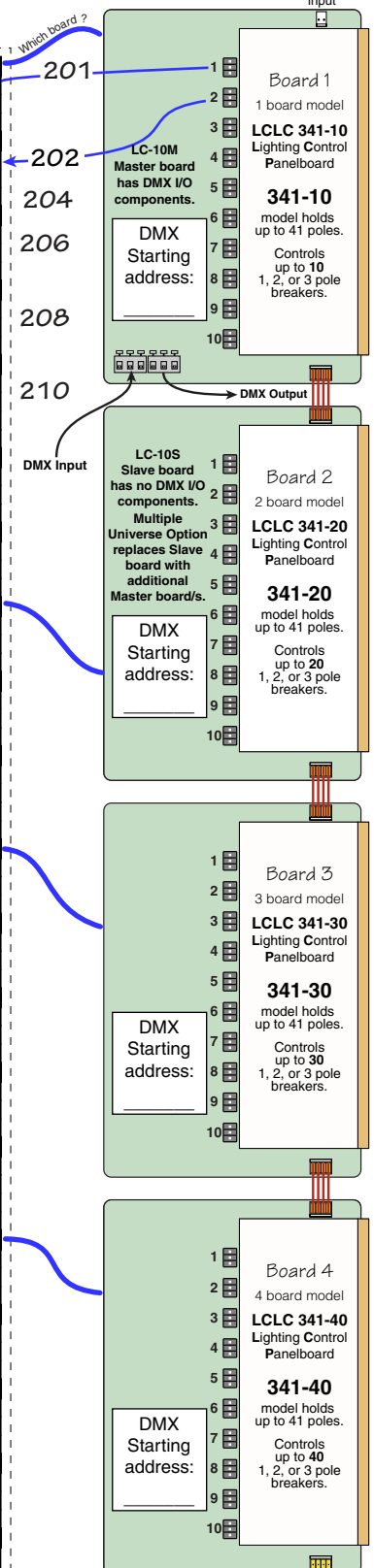
Standard back-fed Main Breaker: QO3100VH. 100A, (VH = 22k AIR).

Wire: 350 kcmil Al or 250 kcmil Cu.
100% Neutral has one feed lug that accepts one 350 kcmil Al or one 250 kcmil Cu wire.

Each motorized breaker is actuated by a command from a DMX control device.
As-built door label example:
The DMX # _____ is the DMX address of this breaker.
The board jumpers set the DMX address of the #1 position of the board.
Positions 2 to 10 are subsequent addresses. Example: #1= 201, #2 to #10 = 202 to 210.
Bold line around box [] = **suggested** control board: #1 (Top), #2, #3 or #4.
Fill in [] box to indicate which control board this breaker is connected to.



LC-10M Master & LC-10S Slave circuit boards in left-hand, low-voltage cabinet.



www.LynTec.com
800-724-4047
8-5 Central Time